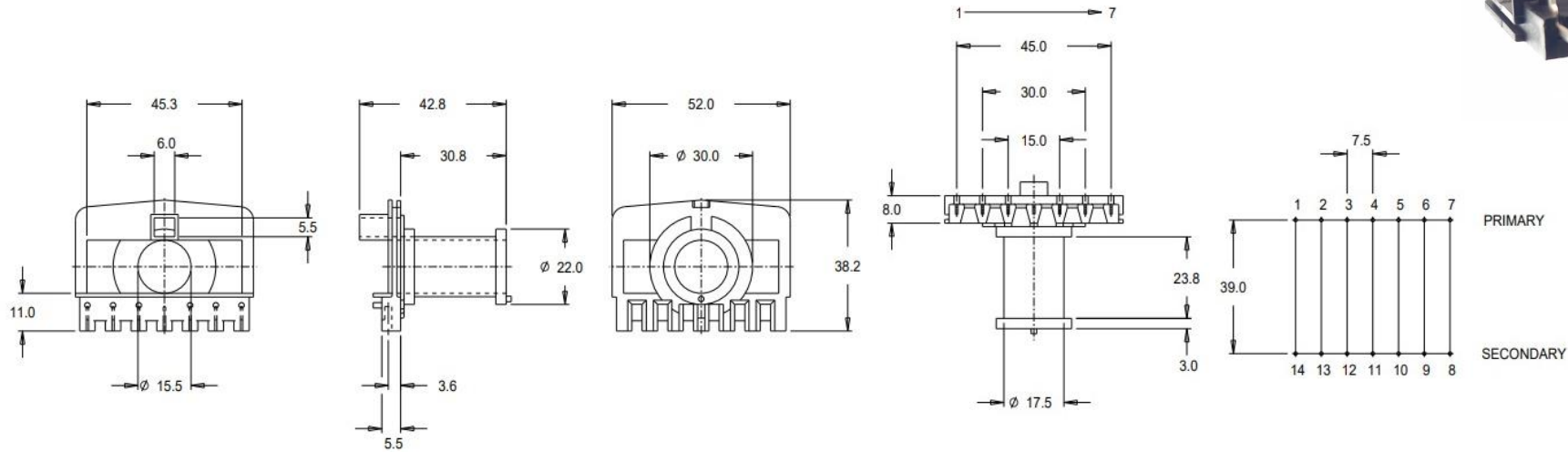




FD7025



Part Number FD7025	Part Weight (g) 11.7	Carton Quantity 1200	Pinning Configuration TBS-640 1:2:3:4:5:6:7:
Order Code FD7025FR3BLK0001	Material Rynite FR530L	Carton Size (mm) 560x385x490	Pin Lenth (mm) (from standoff) n/a
Part Description Bobbin ETD44 H Pri 14P Concentric	Material Datasheets	Related Items n/a	Terminal Pin Material n/a
Product Range ETD Range	UL Rating UL94V0	3D CAD Image	Compliance information

MILES - PLATTS

+44 (0)116 264 3850

milesplatts.co.uk

enquiries@milesplatts.co.uk